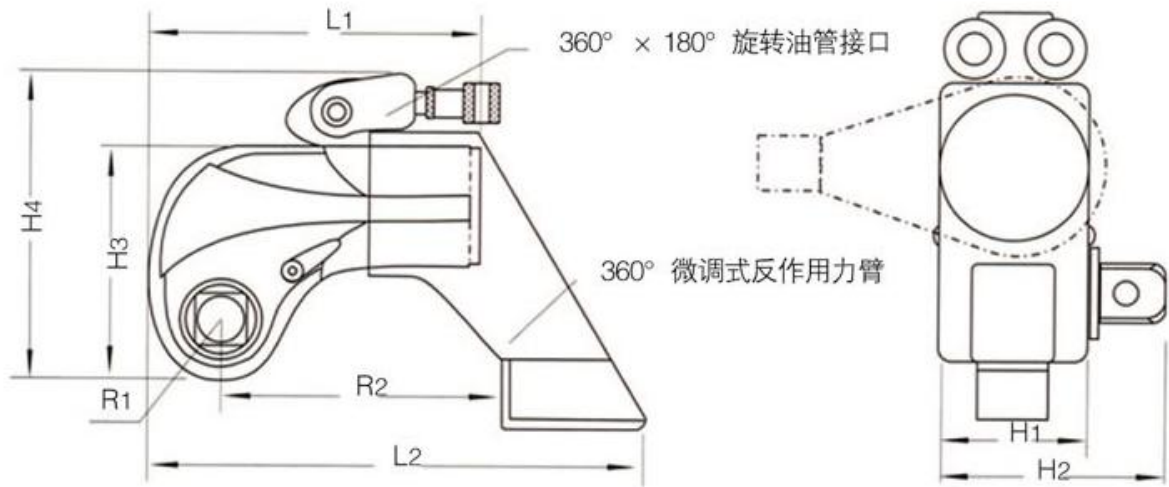


SJP 型驱动式液压扳手规格参数表



型号	SJP02	SJP05	SJP08	SJP10	SJP16	SJP20	SJP28	SJP40	SJP50
扭矩范围 (N.m)	187-1874	483-4835	757-7567	1139-11386	1573-15726	2205-22055	2692-26925	3798-37981	5002-50023
L1	140	169	198	215	240	276	295	320	357
L2	193	242	281	305	359	387	418	463	510
H1	50	69	76	90	100	110	120	137	153
H2	73	101	118	134	144	164	173	202	221
H3	96.5	125	147	159	179	210	222	247	281
H4	138.5	167	189	201	221	252	264	287	321
R1	26	35	40	45	50	58	63	67	77
R2	108	134	156	171	196	205	235	243	271
方轴	3/4" (19*19)	1" (25*25)	1-1/2" (38*38)	1-1/2" (38*38)	1-1/2" (38*38)	2" (51*51)	2" (51*51)	2-1/2" (64*64)	2-1/2" (64*64)
8.8级螺栓	16-36	22-48	27-56	30-64	36-72	39-80	42-90	48-100	64-120
重量(kg)	2.7	4.9	7.7	10.7	14.5	21.5	26	38	50.5